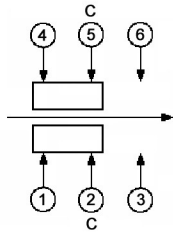
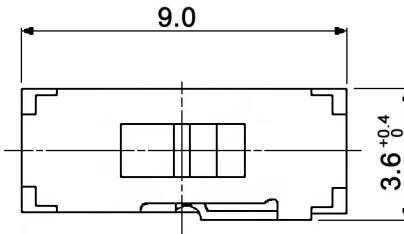


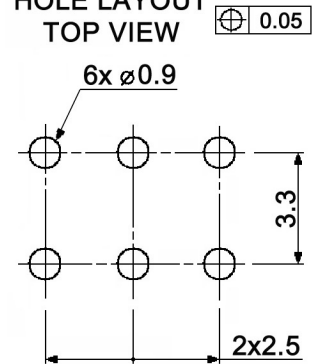
CIRCUIT DIAGRAM



C: COMMON PIN



HOLE LAYOUT TOP VIEW



Specifications:

- Contact rating:** 0.15A, 12V DC
300mA, 6V DC
- Contact resistance:** 70mOhm max.
- Insulation resistance:** 100MOhm min. at 500V DC for 1 minute
- Operating temperature:** -25°C to +85°C
- Mechanical life:** 5 000 cycles min.
- Operating force:** 200 +/-100gf
- Soldering conditions:** 260 +/-5°C, 5 +/-1sec.
- Material:** Terminal: brass strip, silver plated
Cover: SUS, washing
Slider: PA46, natural
Contact plate: C7025, silver plated
Case: PA46, black
- Packaging unit:** MMP 221: 700 pcs. / tray, 5 trays / box
MMP 221 S: 50 pcs. / tube, 10 tubes / bundle

Compliance: RohS II (2011/65/EU)

Tolerances: up to 10: ±0.2mm above 10-50: ±0.3mm	Date	Name
	11/07	dr
Packaging	07/15	dr
Rename	09/12	dr
Contact rating	12/07	dr
Modifications	Date	Name

MMP 221 / MMP 221 S

knitter-switch

21 13 14

Page

1/1